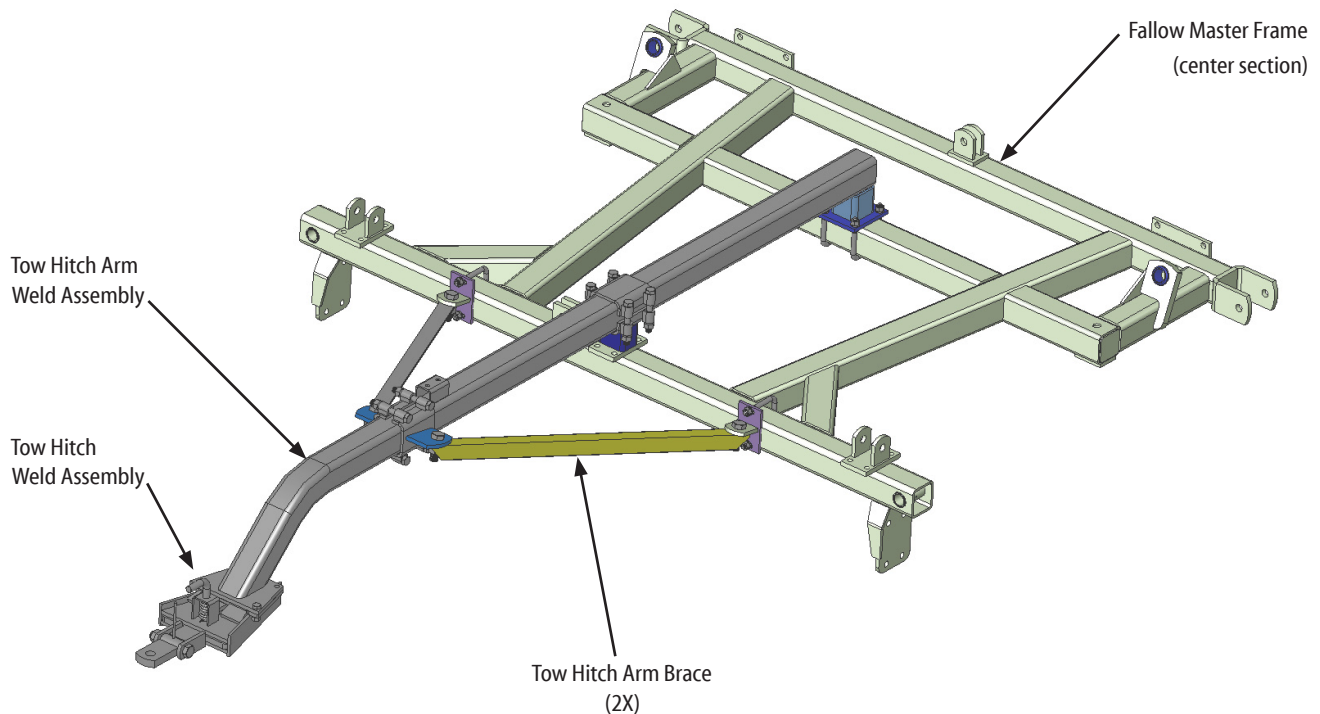




RIGID TANK HITCH - FALLOW MASTER

INSTALLATION MANUAL

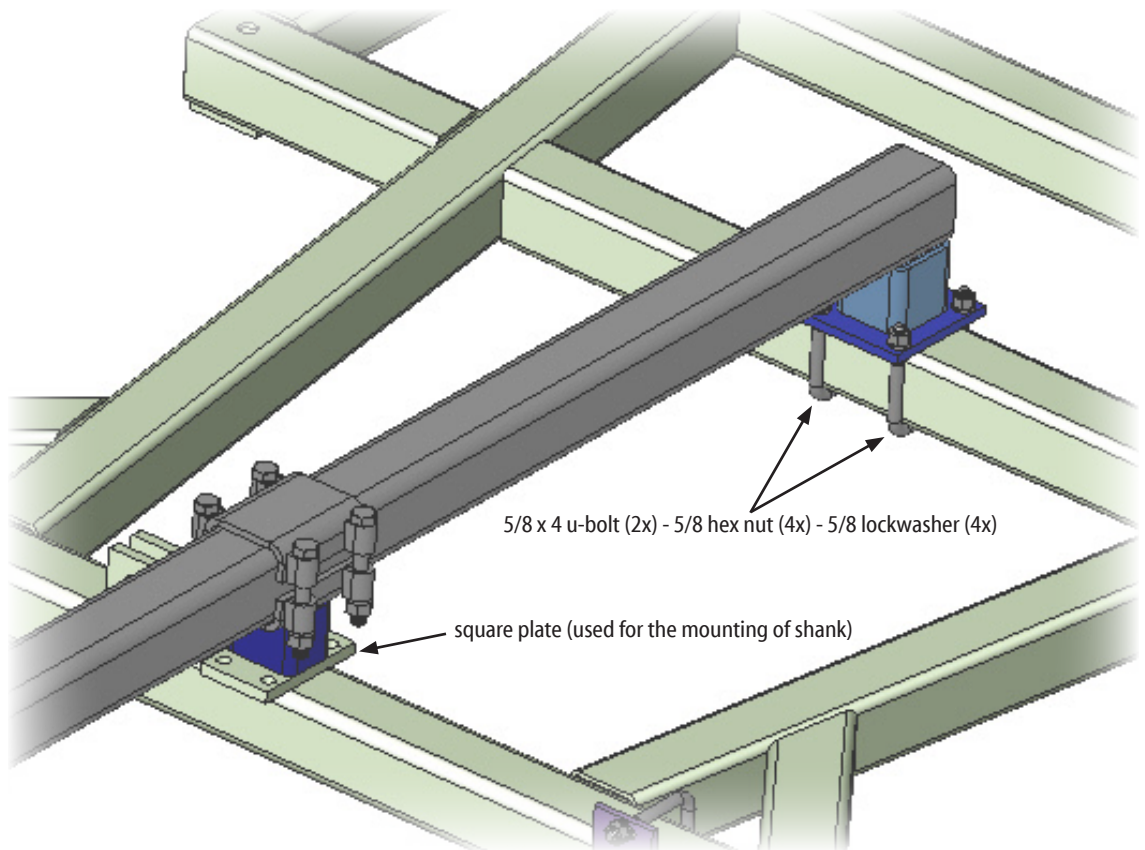
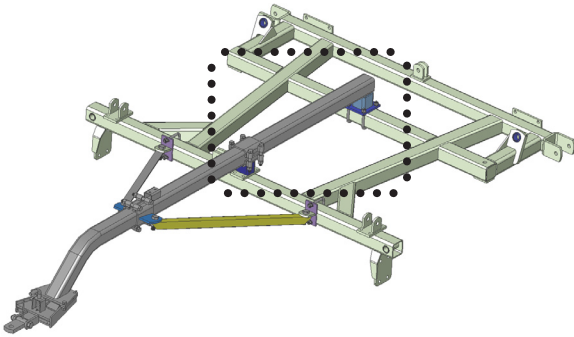


OM06-03-03

RIGID TANK HITCH - FALLOW MASTER

INSTALLATION MANUAL

1. Tow Hitch Arm - Mounting to Fallow Master Frame



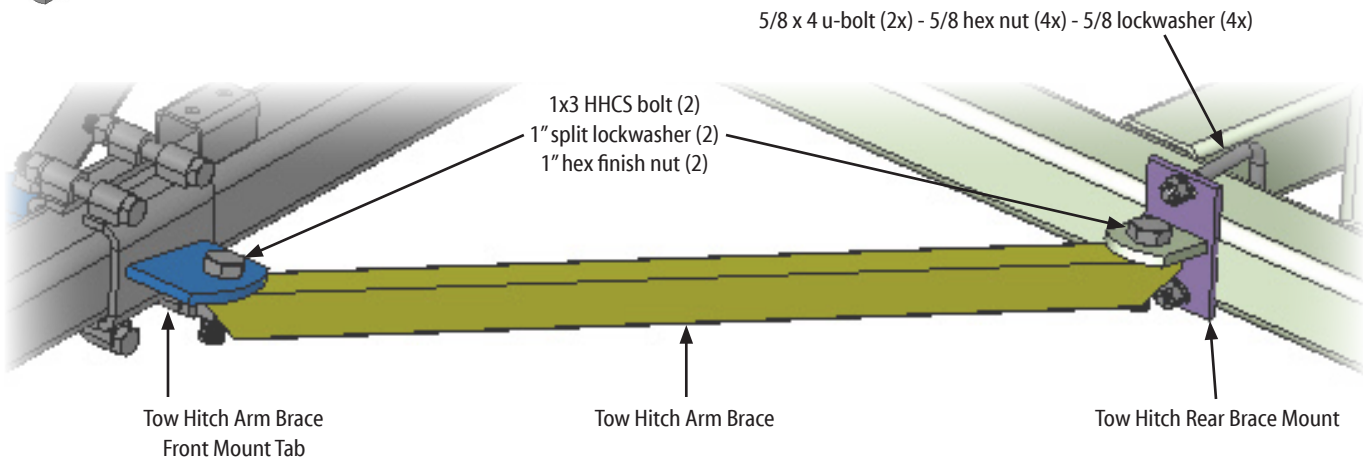
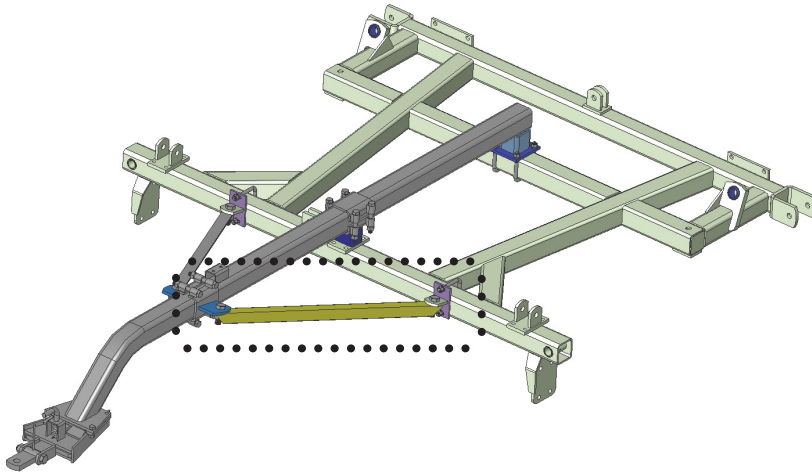
1. Utilize a suitable lifting device to support the tow hitch arm assembly.
2. Align the tow hitch to mount to the center of the bar on the Fallow Master frame.
3. Mount the tow hitch arm to the blade plow frame with the use of (2) u-bolts and (4) lock washers and nuts.
4. Mount shank and sweep to square plate with use of existing hardware supplied with the Fallow Master.

OM06-03-03

RIGID TANK HITCH - FALLOW MASTER

INSTALLATION MANUAL

2. Tow Hitch Arm Brace Mounting (2x)



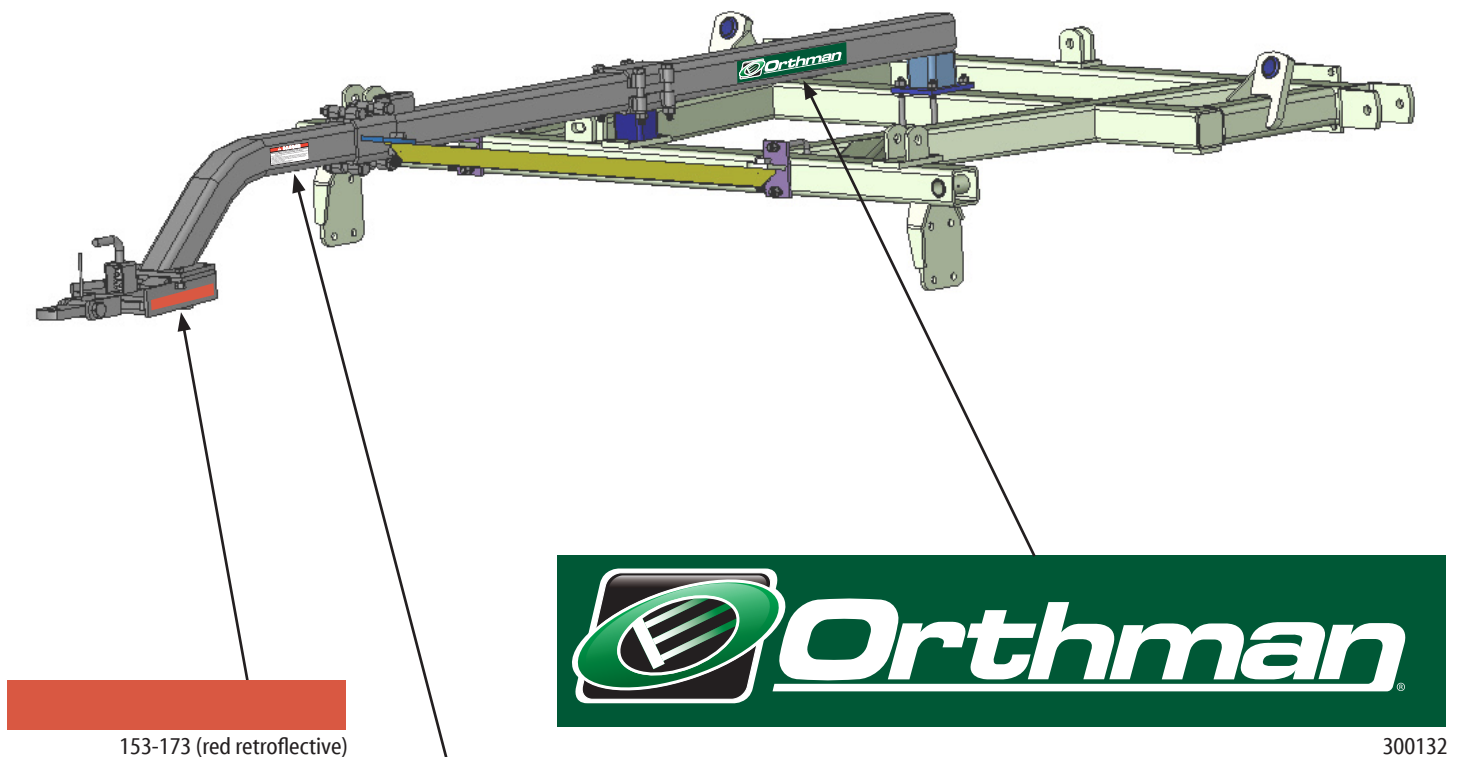
1. Mount the Tow Hitch Rear Brace Mount to the Fallow Master frame in approximate position above with:
(2x) 5/8 x 4 u-bolts, (4x) 5/8 hex nuts, and (4x) 5/8 lock washers. **DO NOT TIGHTEN.**
2. Mount the Tow Hitch Arm Brace to the Front Mount Tab and Rear Brace Mount with:
(2x) 1x3 HHCS bolts, (2x) 1" split lockwashers, and (2x) 1" hex finish nuts. **DO NOT TIGHTEN.**
3. Physically maneuver the Tow Hitch Rear Brace Mount in order that the Tow Hitch Arm Brace is void of any slack.
4. Tighten all hardware.
5. Repeat installation procedure for remaining Tow Hitch Arm Brace on opposite side of Tank Hitch.

OM06-03-03

RIGID TANK HITCH - FALLOW MASTER

INSTALLATION MANUAL

3. Decal Placement (right hand side)



! DANGER

ANHYDROUS AMMONIA NH₃ IS EXTREMELY DANGEROUS. DIRECT EXPOSURE TO NH₃ COULD RESULT IN SERIOUS INJURY AND/OR DEATH.

1. Be sure all personnel are properly trained concerning dangers and precautions involved in the application of NH₃.
2. Keep a supply of water and wear safety goggles and gloves in case of exposure to NH₃.
3. Follow safety procedures and instructions from your nurse tank and NH₃ suppliers.
4. Use reputable quality hose couplers. Make sure supply hose is positioned along an unobstructed path at all times.
5. Always stand "up-wind" when working around NH₃.
6. Bleed hose end valves before disconnecting.

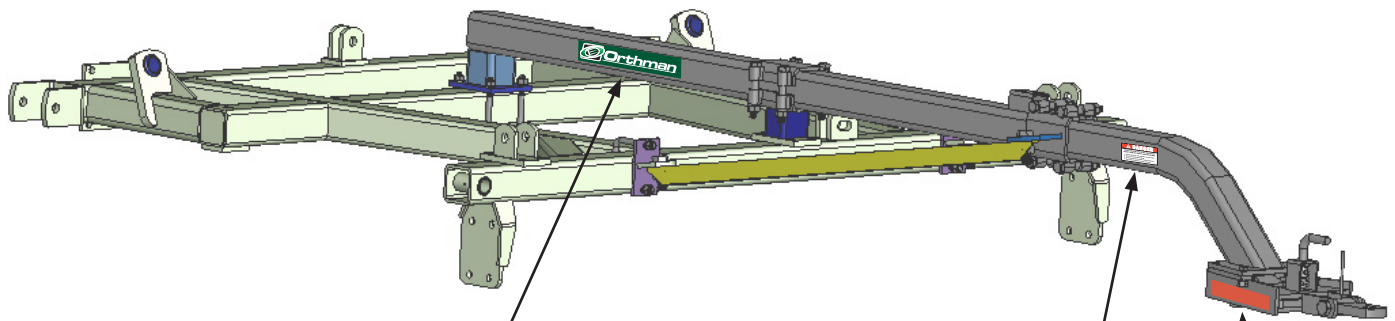
153-047

OM06-03-03

RIGID TANK HITCH - FALLOW MASTER

INSTALLATION MANUAL

3. Decal Placement (left hand side)



300132



153-173 (red retroreflective)



DANGER

SHOULD LIQUID OR VAPOR OF ANY FERTILIZATION PRODUCT COME INTO CONTACT WITH EYES OR SKIN:

- 1. Immediately flush entire affected area with water.**
- 2. Remove contaminated clothing.**
- 3. Do not attempt to administer medical assistance.**
- 4. Seek medical attention as soon as possible.**

153-048

OM06-03-03